

# Installation manual

## Pre-heating water coil Modular T

D-EIMOC2009-28\_00EN



› Modular T

**Original instructions**

REV	00
DATE	February 2022
REPLACES	

# 1 Important warnings



The pictogram shows a situation of immediate danger or a dangerous situation that might cause injuries or death.



The pictogram shows that it is necessary to adopt suitable behaviour in order to avoid jeopardising staff safety and cause damages to the equipment.



The pictogram shows particularly important technical information that should be taken into consideration by the people installing or using the equipment.



Read this manual carefully before installation and keep it for any further future consultation by the various operators. Do not remove, tear out or rewrite any part of this manual.



**Failure to follow these instructions may cause damage and injuries, even fatal, voids the warranty and relieves the Manufacturer of any liability.**



All installation, assembly, electrical connections to the mains and ordinary/extraordinary maintenance must be performed **only by technicians complying with the legal requirements**, after turning off the unit and using personal protective equipment (i.e. gloves, protective goggles, etc.), in compliance with the regulations in force in the country the equipment is to be used in and the laws on safety in the workplace.



Installation, use or maintenance other than those specified in the manual may cause damage, injury or death, invalidate the warranty and relieve the Manufacturer of all liability.



Use protective clothing and suitable equipment while handling or installing the equipment, in order to prevent accidents and safeguard your own and other people's safety. Individuals not assigned to installation or maintenance are NOT allowed to stand or pass through the work area while the unit is assembled.



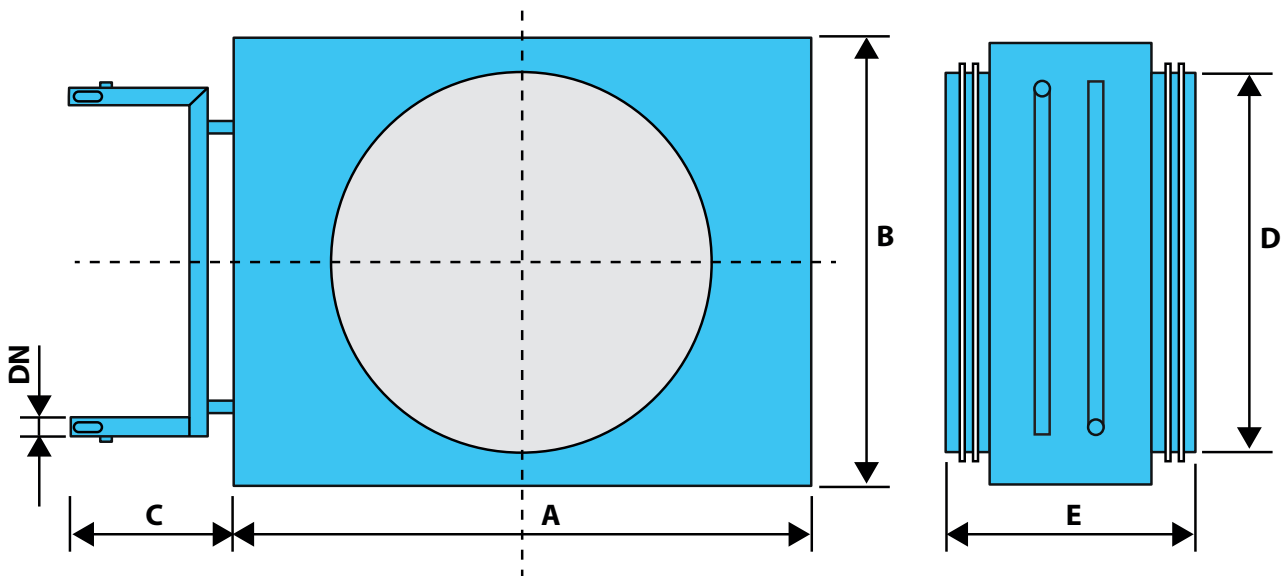
**Before carrying out any installation, disconnect the equipment from the power supply and wait at least 120 seconds before carrying out any operation.**



It is the responsibility of the user/installer to check the static and dynamic stability relative to the installation and to arrange environments so that **people who are not competent or authorised DO NOT have access to the unit or to its controls.**

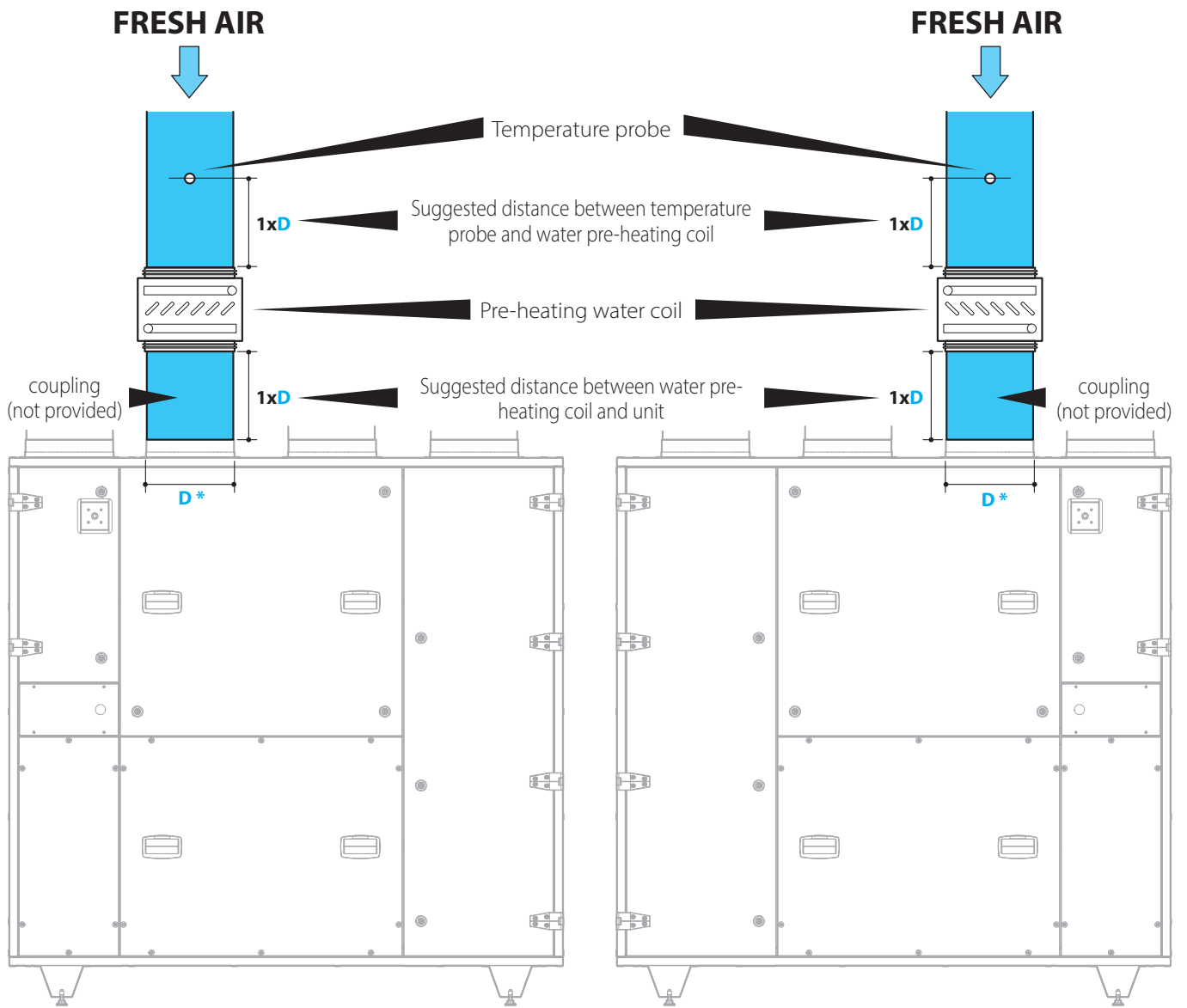
## 2 Technical data

Size	Material name	Duct collar diameter [mm]	A [mm]	B [mm]	C [mm]	D [mm]	E [mm]	DN [inch]
03	ATD03HWFAU	250	345	280	110	250	280	1/2
04	ATD04HWFAU	315	420	355	110	315	280	1/2
05	ATD05HWFAU	355	445	380	110	355	280	1/2
06	ATD06HWFAU	400	495	430	110	400	280	1/2
07	ATD07HWFAU	500	595	530	110	500	280	3/4



**Right Handling**  
VERSION MACHINES  
**ATB\*\*R\*\***

**Left handling**  
VERSION MACHINES  
**ATB\*\*L\*\***



$D^*$  = diameter of ducts

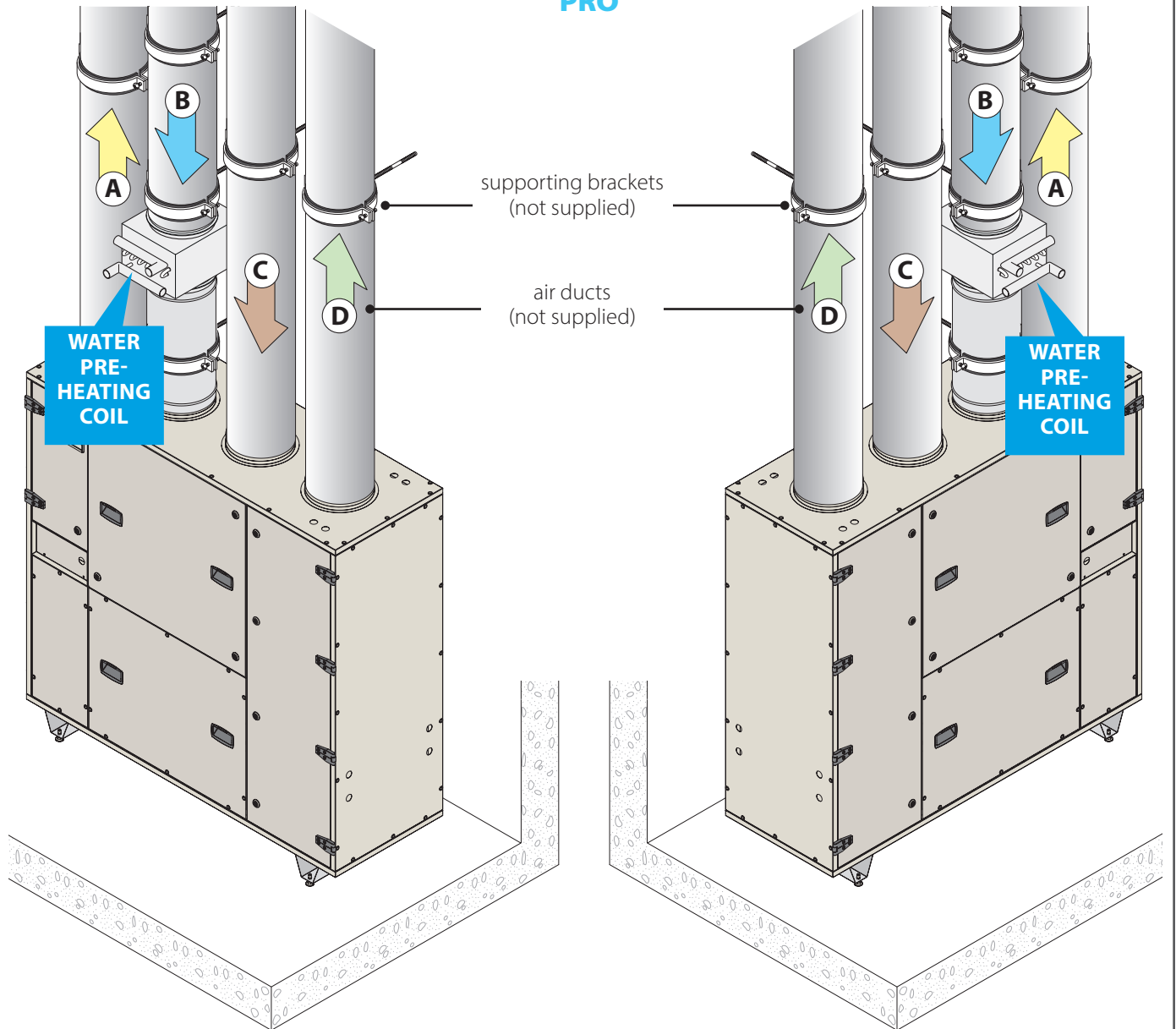
(e.g. if  $D = 250$  mm  $\rightarrow 1xD = 250$  mm,  $2xD = 500$  mm...)

**1** Correct distance



# 3 Installation

## MODULAR T PRO

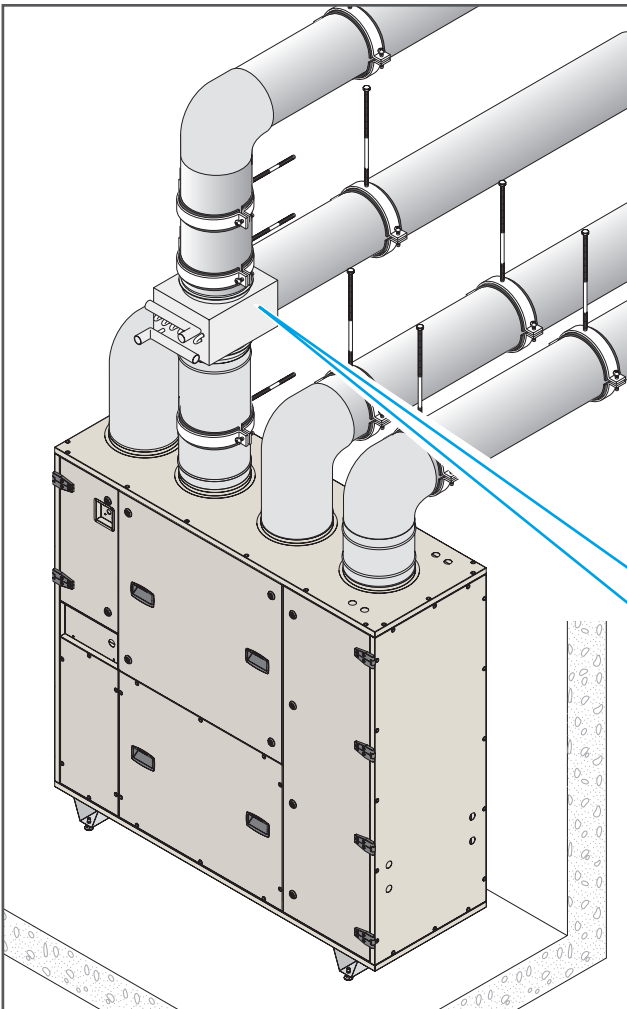


**Right Handling**  
VERSION MACHINES  
**ATB\*\*R\*\***

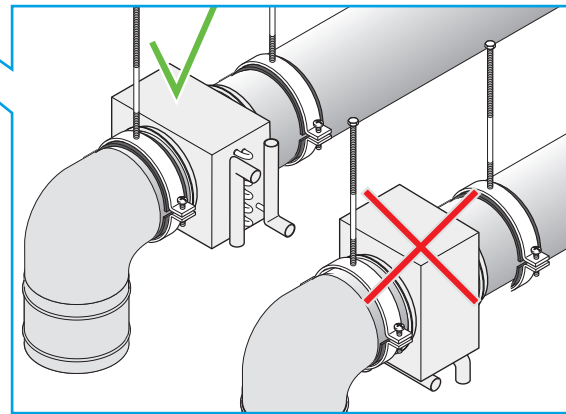
**Left handling**  
VERSION MACHINES  
**ATB\*\*L\*\***

### DUCT

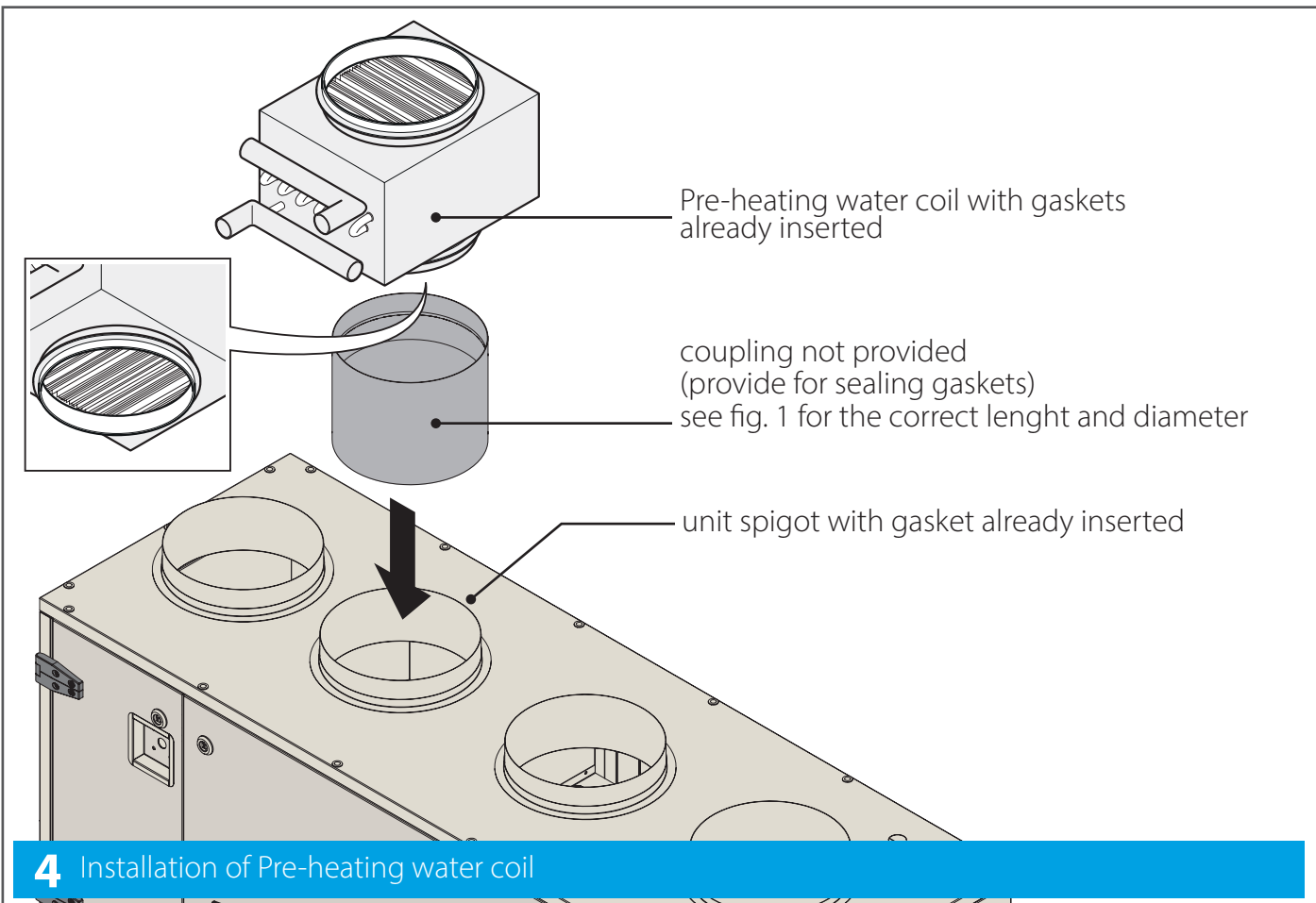
- A** Exhaust air
- B** Fresh air
- C** Return air
- D** Supply air



Pre-heating water coil can be positioned both **horizontally** and **vertically**. The ducts and the pre-heating coils must be **permanently fixed to a fixed structure** (for example a wall or a ceiling) using brackets (not supplied). Pre-heating water coil should be installed in such a way that it is accessible for maintenance or any other operation.



**3** Example of installation of the Pre-heating water coil both horizontally and vertically



Pre-heating water coil with gaskets already inserted

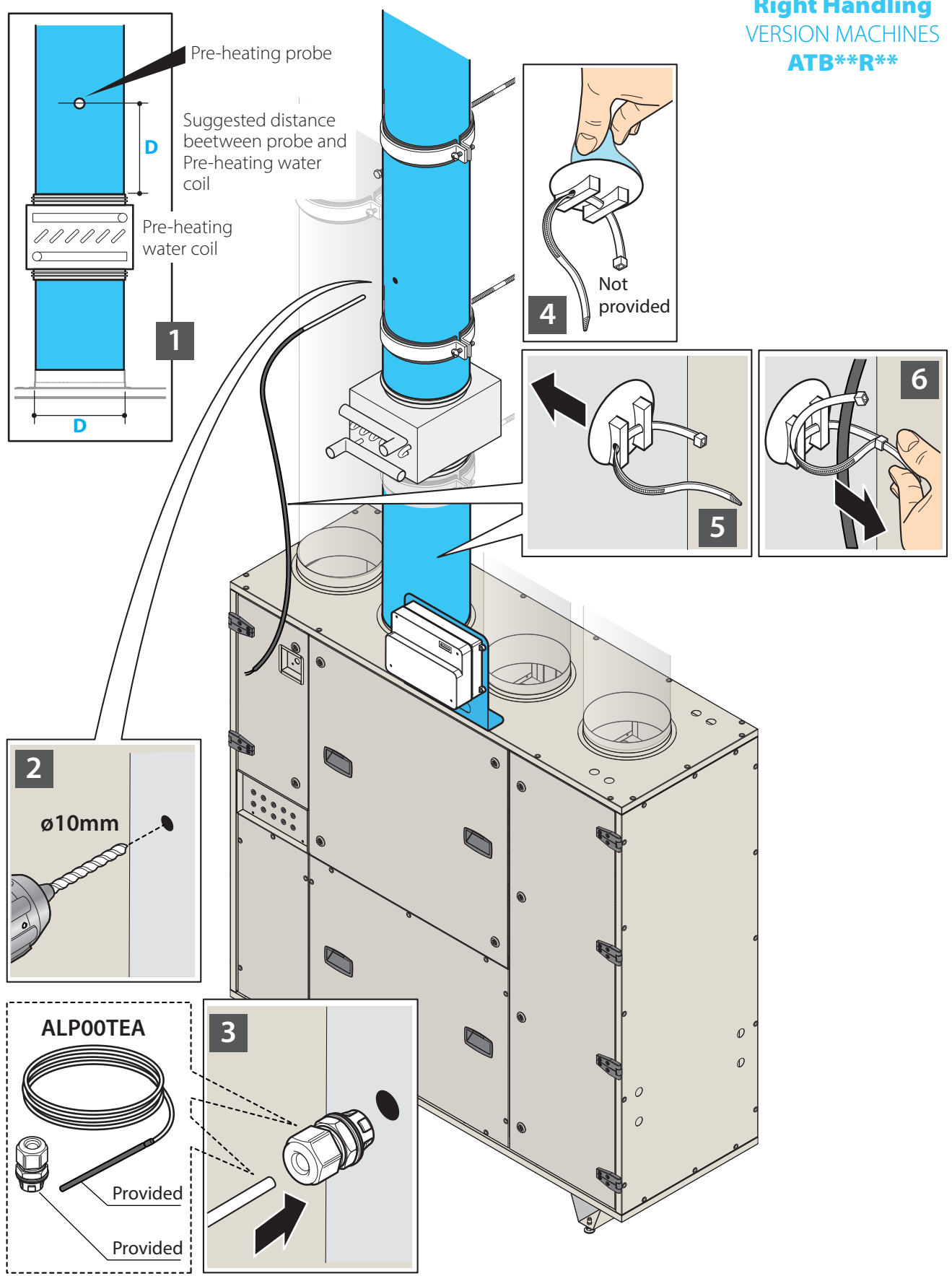
coupling not provided (provide for sealing gaskets) see fig. 1 for the correct length and diameter

unit spigot with gasket already inserted

**4** Installation of Pre-heating water coil

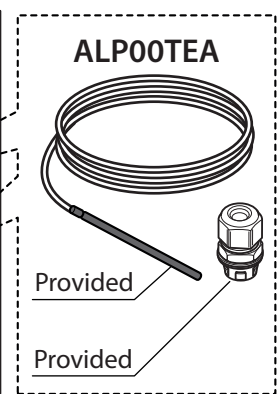
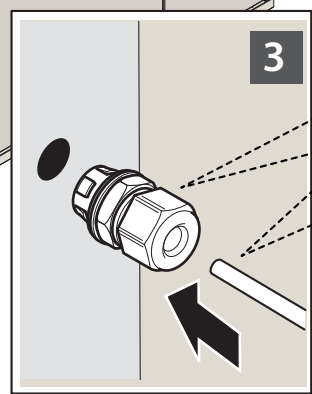
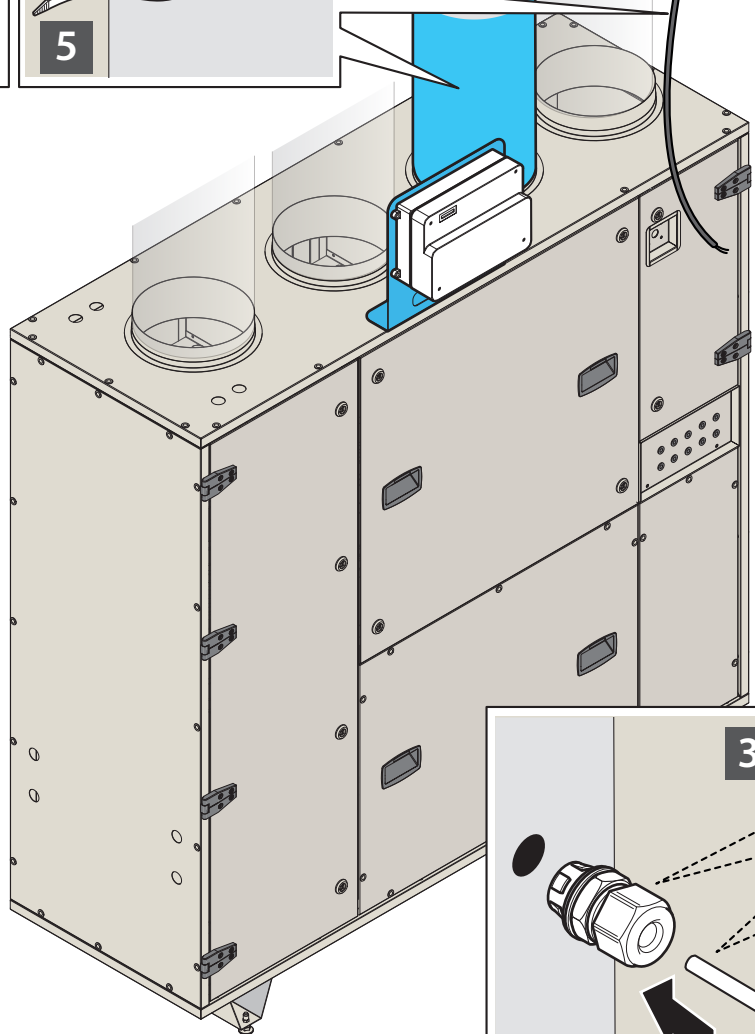
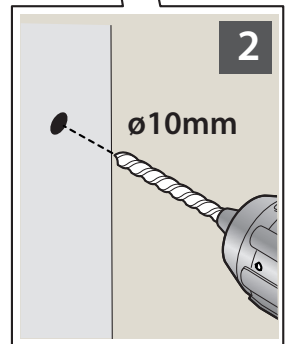
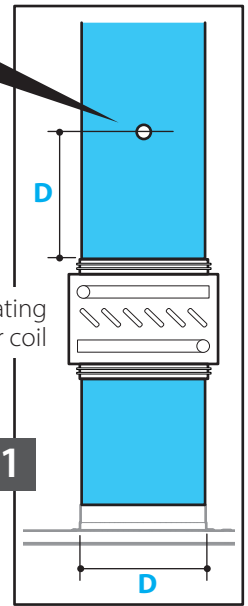
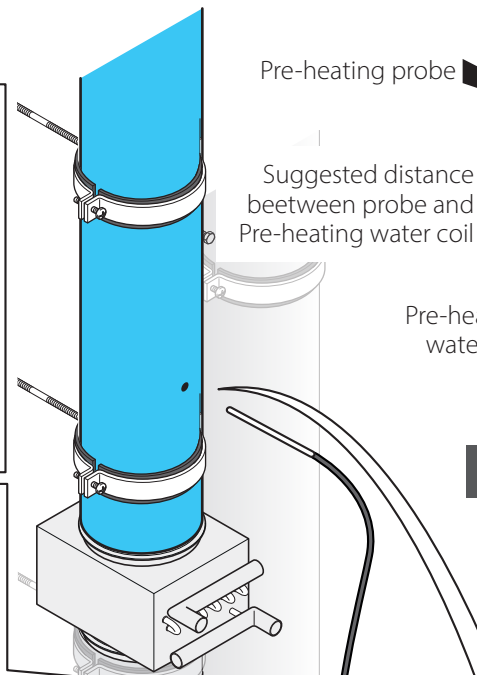
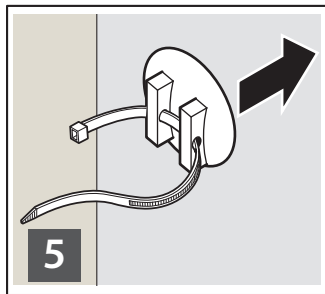
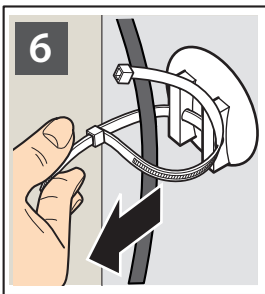
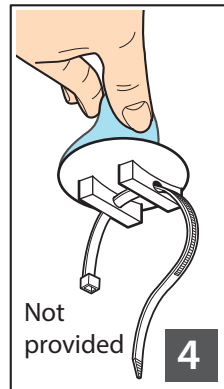
# 4 Connection of Pre-heating probe

Right Handling  
VERSION MACHINES  
ATB\*\*R\*\*



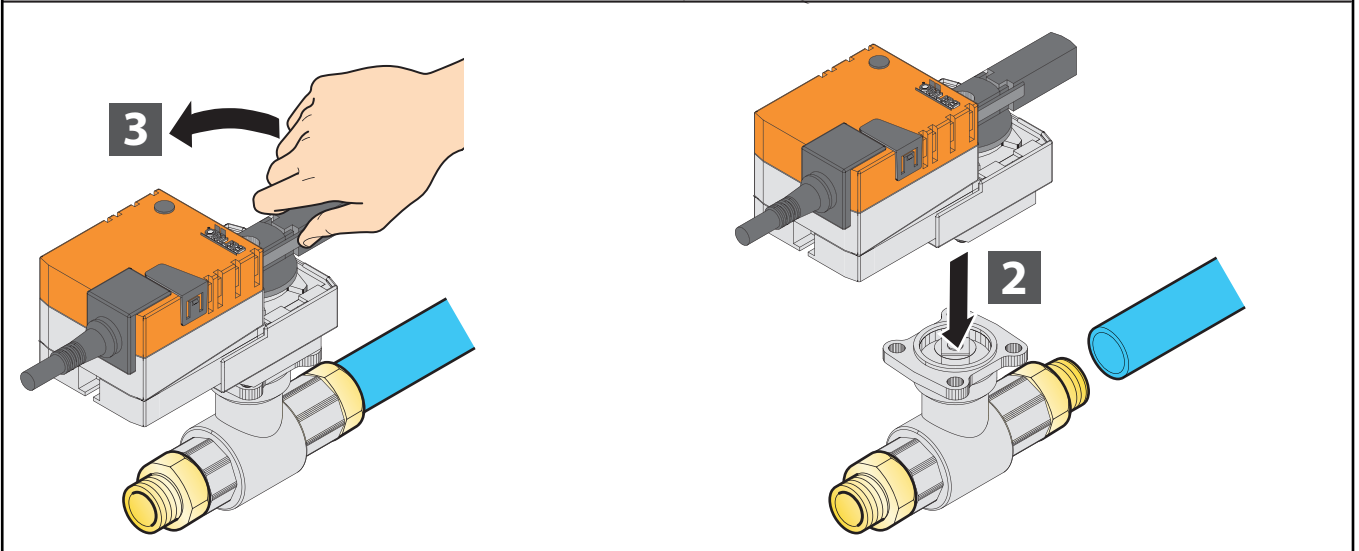
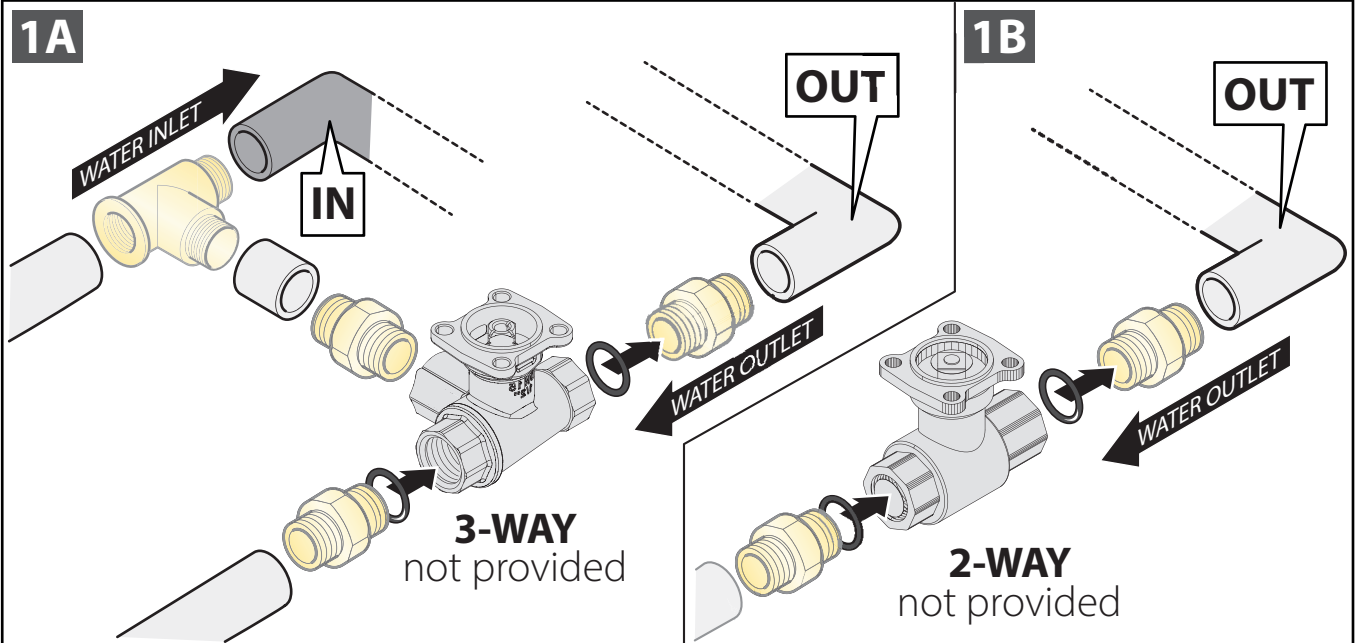
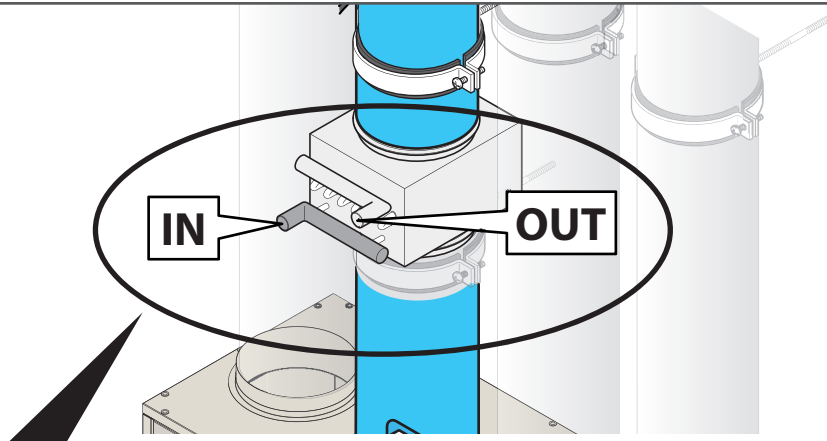
5 Installation of probe (PRE-HEATING)

**Left handling**  
VERSION MACHINES  
**ATB\*\*L\*\***



**6** Installation of probe (PRE-HEATING)

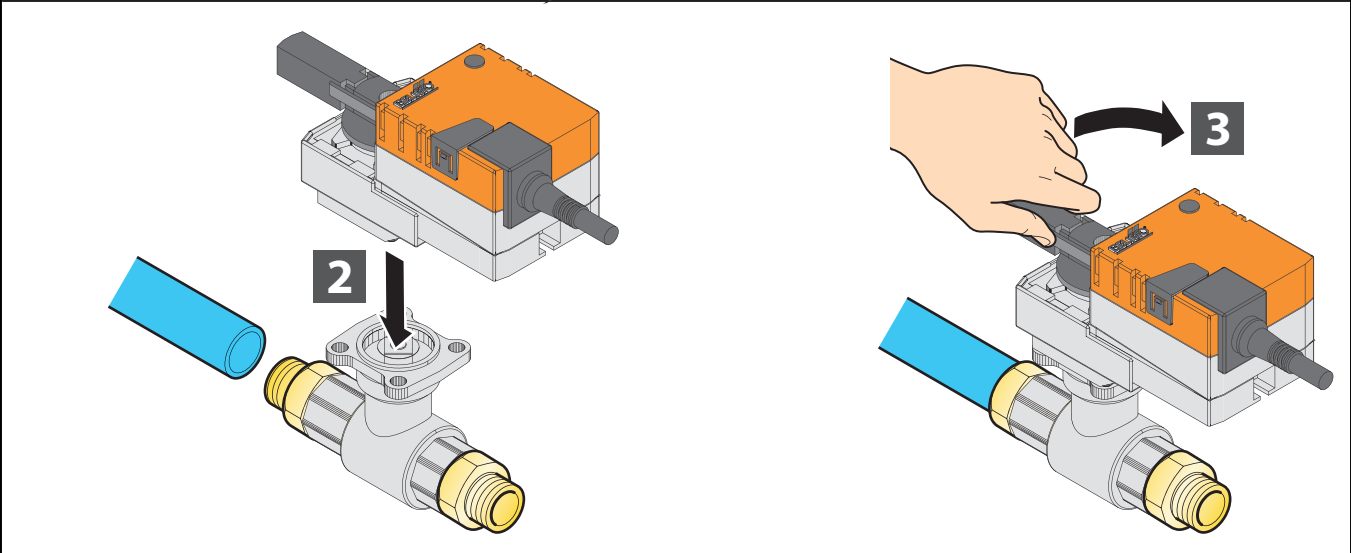
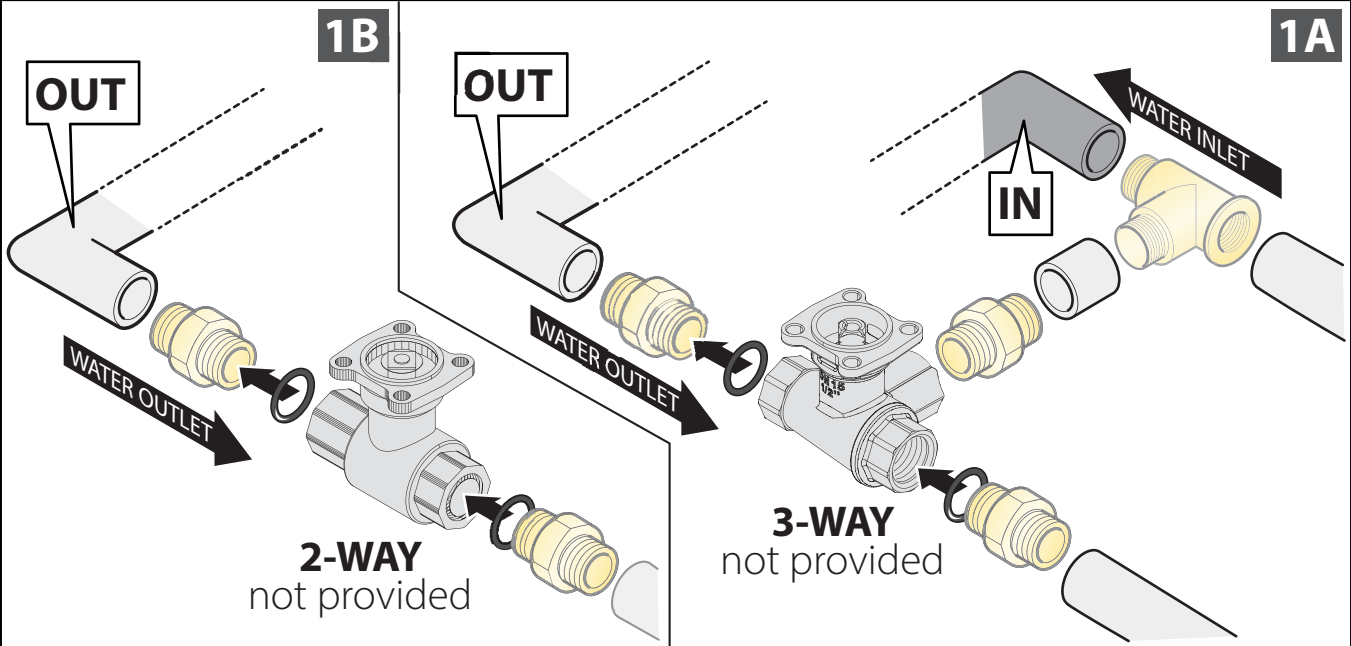
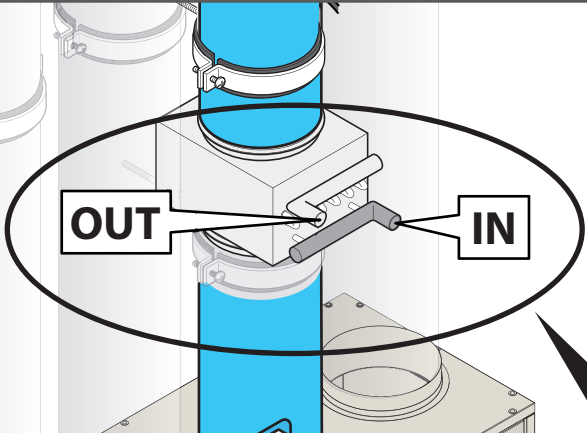
**Right Handling**  
VERSION MACHINES  
ATB\*\*R\*\*



Size	Material name unit	Modulating actuator	heating water valves		valve DN [inch]	coil DN [inch]
			2 way	3 way		
03	ATB03*A	ATE00AMVA	ATV03HW2A	ATV03HW3A	1/2	1/2
04	ATB04*A	ATE00AMVA	ATV04HW2A	ATV04HW3A	1/2	1/2
05	ATB05*A	ATE00AMVA	ATV05HW2A	ATV05HW3A	1/2	3/4
06	ATB06*A	ATE00AMVA	ATV06HW2A	ATV06HW3A	1/2	3/4
07	ATB07*A	ATE00AMVA	ATV07HW2A	ATV07HW3A	3/4	1

**7** Valve and actuator installation (opt.)

**Left handling**  
VERSION MACHINES  
**ATB\*\*L\*\***

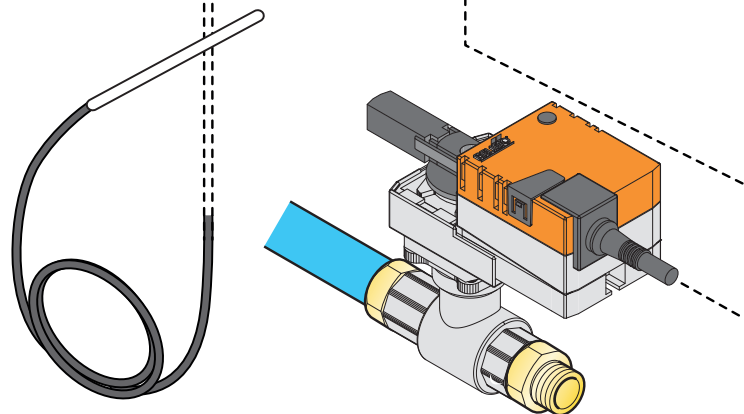
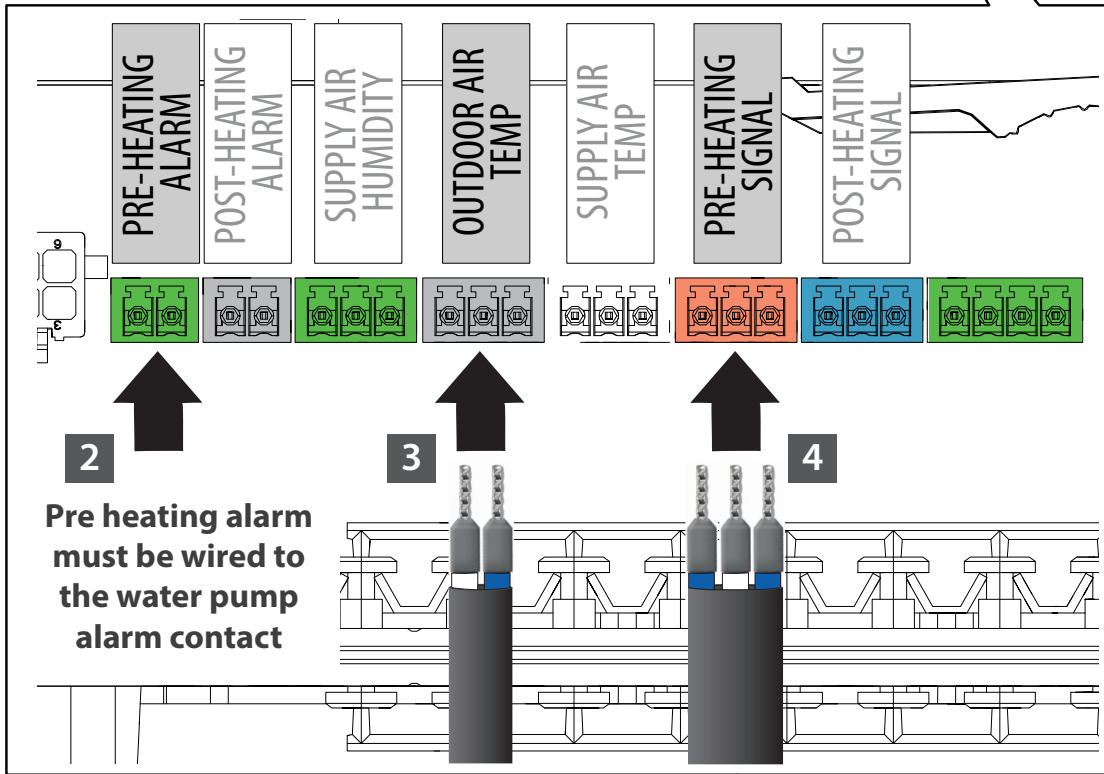
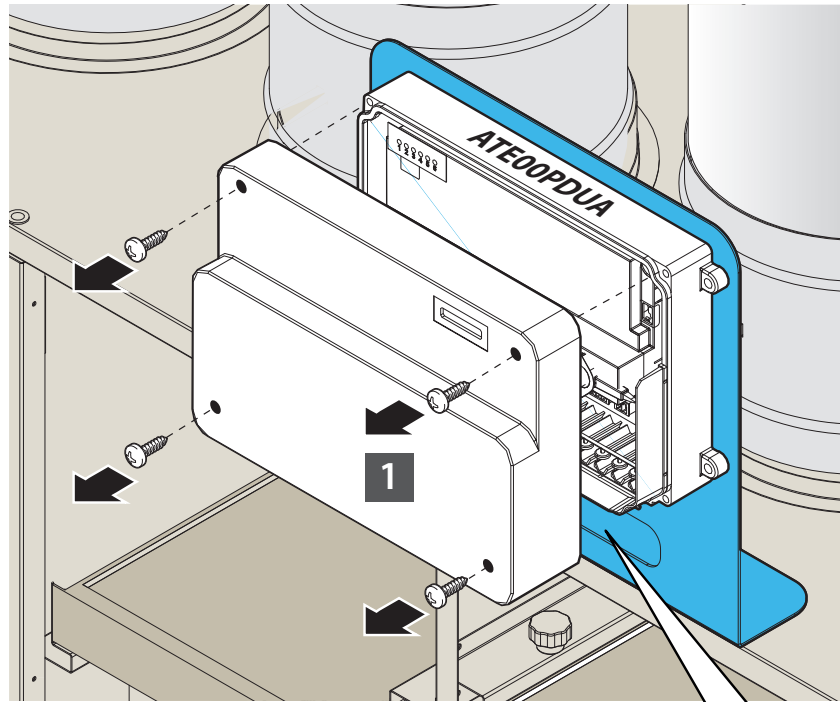


Size	Material name unit	Modulating actuator	heating water valves		valve DN [inch]	coil DN [inch]
			2 way	3 way		
03	ATB03*A	ATE00AMVA	ATV03HW2A	ATV03HW3A	1/2	1/2
04	ATB04*A	ATE00AMVA	ATV04HW2A	ATV04HW3A	1/2	1/2
05	ATB05*A	ATE00AMVA	ATV05HW2A	ATV05HW3A	1/2	3/4
06	ATB06*A	ATE00AMVA	ATV06HW2A	ATV06HW3A	1/2	3/4
07	ATB07*A	ATE00AMVA	ATV07HW2A	ATV07HW3A	3/4	1

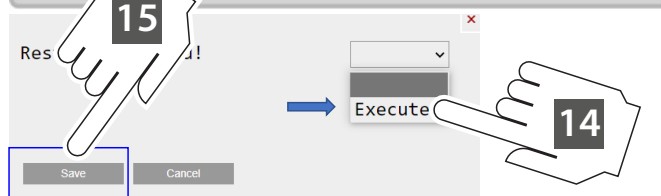
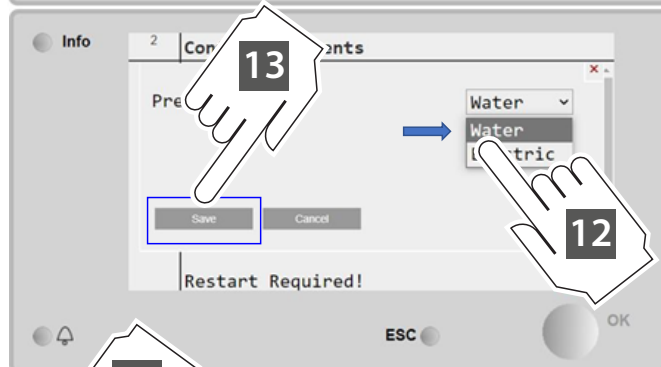
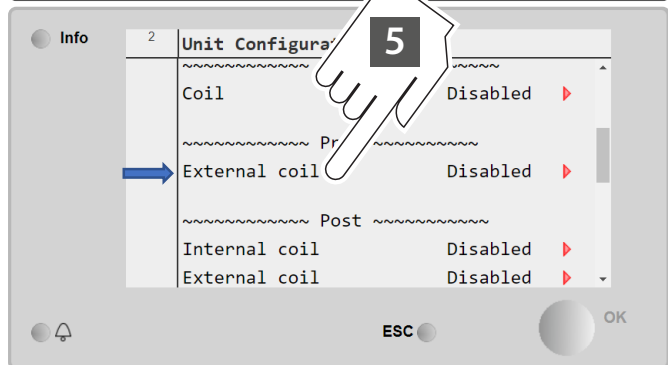
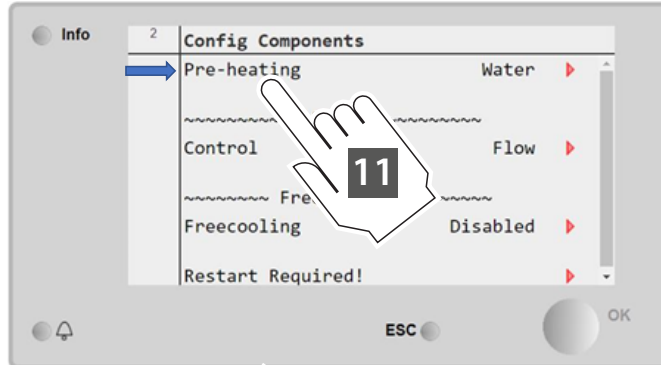
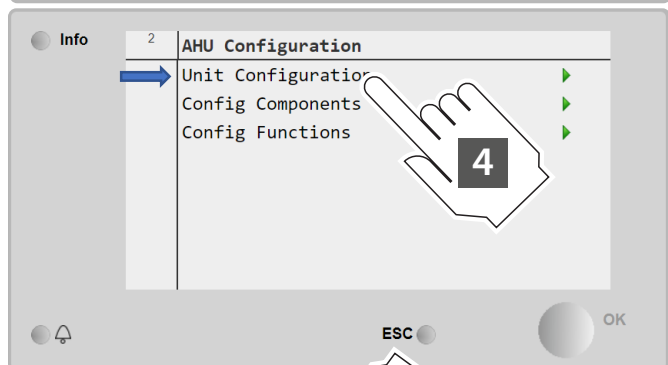
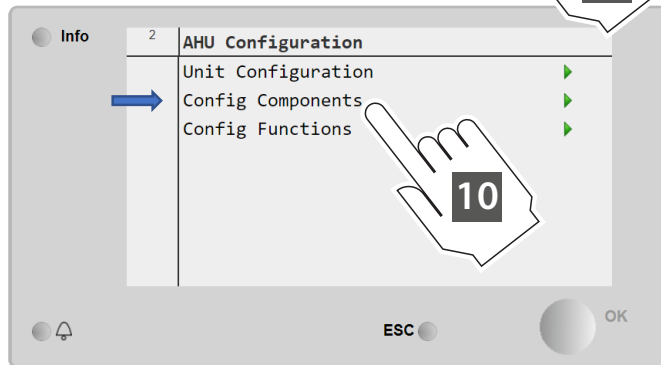
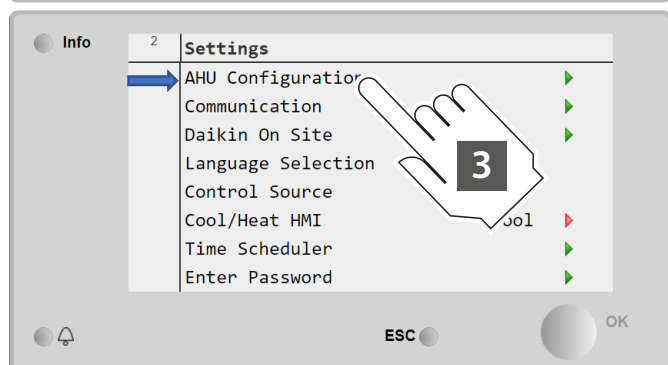
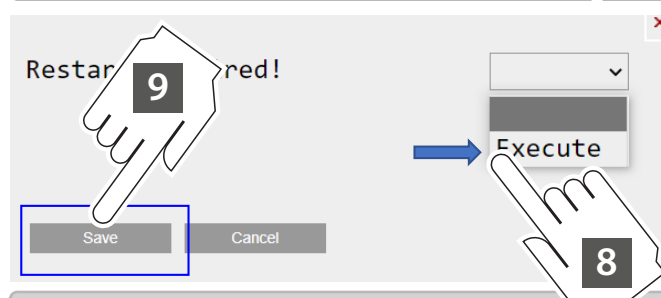
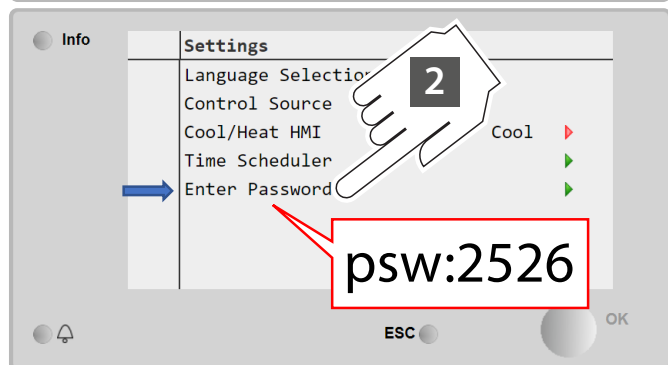
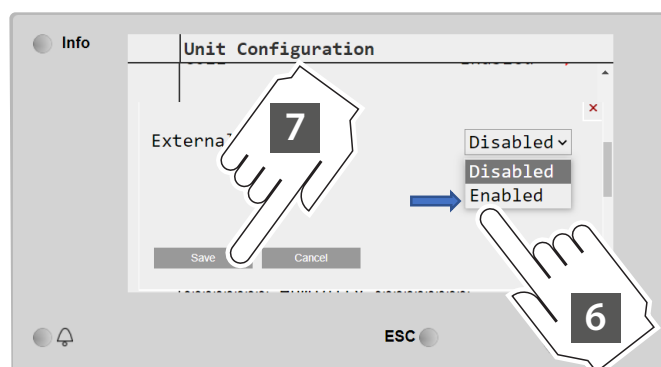
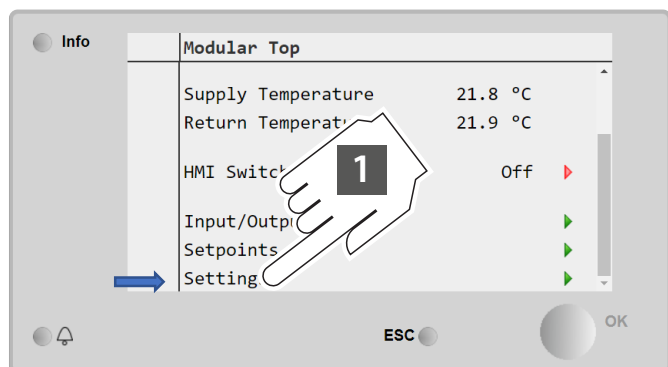
**8** Valve and actuator installation (opt.)



Please refer to the dedicated IOM digital node



# Software setup (PRE HEATING)







For more information email [info@daikinapplied.uk](mailto:info@daikinapplied.uk) or visit [www.daikinapplied.uk](http://www.daikinapplied.uk)

For all Daikin Applied UK,  
Daikin Applied Service &  
Spares enquiries call us on:  
**0345 565 2700**



Daikin Europe N.V. participates in the Eurovent Certified Performance programme for Liquid Chilling Packages and Hydronic Heat Pumps, Fan Coil Units and Variable Refrigerant Flow systems. Check ongoing validity of certificate:  
[www.eurovent-certification.com](http://www.eurovent-certification.com)

The present publication is drawn up by way of information only and does not constitute an offer binding upon Daikin Europe N.V. Daikin Europe N.V. has compiled the content of this publication to the best of its knowledge. No express or implied warranty is given for the completeness, accuracy, reliability or fitness for particular purpose of its content and the products and services presented therein. Specifications are subject to change without prior notice. Daikin Europe N.V. explicitly rejects any liability for any direct or indirect damage, in the broadest sense, arising from or related to the use and/or interpretation of this publication. All content is copyrighted by Daikin Europe N.V.

